



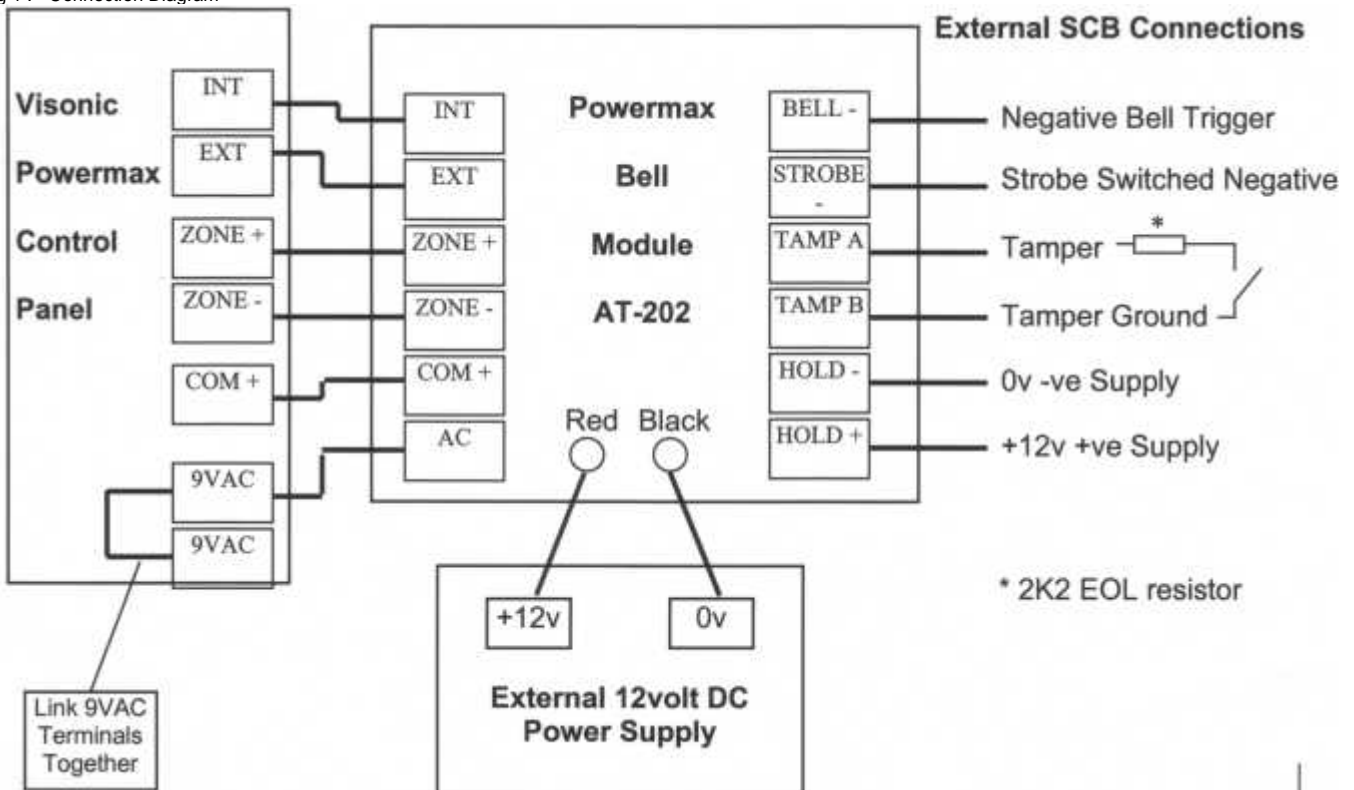
This unit is a retrofit module, which is designed to operate a conventional external self-contained sounder (SCB) in conjunction with the Visonic Powermax wirefree control panel. It is recommended that this unit is used in conjunction with a 12-volt DC power supply (PSU), complete with mains fail backup. This will supply power to both the module, and to the Powermax. The PSU shipped with Powermax will NOT be required.

Kit Contents

This kit should contain the following components

- 1 x AT-202 PCB
- 3 x Nylon PCB Stand-offs
- 1 x 1K8 Resistor
- 1 x 2K2 Resistor
- 1 x Piece Terminal Strip

Fig 1 : - Connection Diagram



Tamper Connections

The Hardwired zone on Powermax (Zone 30) can be utilised to monitor the external sounder – it is recommended that zone 30 is programmed to provide a 24 response. The supplied EOL resistor should be removed from the zone terminals and fitted within the external sounder as shown in Fig 1 – a piece of terminal strip is supplied to assist. Should you experience problems the resistor value may require changing to 1.8K (Both resistor Values are supplied with this Module – See fig. 2)

NOTE: For sounders with a single negative tamper return connect tamper * (TR) via the resistor to Tamp A terminals and make no connection to Tamp B

Power Supply Connections

The PSU supplied with Powermax will not be required as the AT-202 module should be connected to a standard 12 volt DC power supply fitted with battery back up – Powermax will source its power via this module

AC Connections

You should note in Fig .1 the AC Terminals on Powermax are linked together to a common AC terminal on the AT-202 interface. This connection will ensure the Powermax recognises the presence of an external supply and thus will not report “AC Failure”. Although Powermax will function with only one of these connections, both connections are required to ensure correct operation.

Typical resistors for Powermax

The most commonly used resistors used in conjunction with Powermax are listed below

Fig 2 : - Colour codes of relevant resistors

Resistor Value	Band 1	Band 2	Multiplier
1K8	Brown	Grey	Red
2K2	Red	Red	Red
4K7	Yellow	Violet	Red

Typical Connections

Common sounders are listed in Fig 3 with their connections.

Fig 3: - Connection Table

AT-202	Gardiner	Pyronix	CQR	Ventcroft	Microtech
BELL-	Bell Sw-	BA	BELL	TRG	TRIGGER (6)
STROBE-	Strobe-	STB	STROBE	STB-	STROBE- (8)
TAMP A	R Tamp Ret	BT	TAMPER	RTN	TAMP OUT (1)
TAMP B	F Tamp Feed	TF	No Connection	No Connection	TAMP IN (2)
HOLD-	-12v Supply	B-	HOLD OFF -	HOLD OFF -	SUPPLY - (4)
HOLD+	+12v Supply	B+	HOLD OFF +	HOLD OFF +	SUPPLY + (5)
Comments		No connection from TF to either B+ or B- required	Select negative Tamper return		Link STROBE + (7) to SUPPLY + (5)

WARRANTY

Visonic Ltd. and/or its subsidiaries and its affiliates ("the Manufacturer") warrants its products hereinafter referred to as "the Product" or "Products" to be in conformance with its own plans and specifications and to be free of defects in materials and workmanship under normal use and service for a period of twelve months from the date of shipment by the Manufacturer. The Manufacturer's obligations shall be limited within the warranty period, at its option, to repair or replace the product or any part thereof. The Manufacturer shall not be responsible for dismantling and/or reinstallation charges. To exercise the warranty the product must be returned to the Manufacturer freight prepaid and insured.

This warranty does not apply in the following cases: improper installation, misuse, failure to follow installation and operating instructions, alteration, abuse, accident or tampering, and repair by anyone other than the Manufacturer.

This warranty is exclusive and expressly in lieu of all other warranties, obligations or liabilities, whether written, oral, express or implied, including any warranty of merchantability or fitness for a particular purpose, or otherwise. In no case shall the Manufacturer be liable to anyone for any consequential or incidental damages for breach of this warranty or any other warranties whatsoever, as aforesaid.

This warranty shall not be modified, varied or extended, and the Manufacturer does not authorize any person to act on its behalf in the modification, variation or extension of this warranty. This warranty shall apply to the Product only. All products, accessories or attachments of others used in conjunction with the Product, including batteries, shall be covered solely by their own warranty, if any. The Manufacturer shall not be liable for any damage or loss whatsoever, whether directly, indirectly, incidentally, consequentially or otherwise, caused by the malfunction of the Product due to products, accessories, or attachments of others, including batteries, used in conjunction with the Products.

The Manufacturer does not represent that its Product may not be compromised and/or circumvented, or that the Product will prevent any death, personal and/or bodily injury and/or damage to property resulting from burglary, robbery, fire or otherwise, or that the Product will in all cases provide adequate warning or protection. User understands that a properly installed and maintained alarm may only reduce the risk of events such as burglary, robbery, and fire without warning, but it is not insurance or a guarantee that such will not occur or that there will be no death, personal damage and/or damage to property as a result. **The Manufacturer shall have no liability for any death, personal and/or bodily injury and/or damage to property or other loss whether direct, indirect, incidental, consequential or otherwise, based on a claim that the Product failed to function.**

However, if the Manufacturer is held liable, whether directly or indirectly, for any loss or damage arising under this limited warranty or otherwise, regardless of cause or origin, the Manufacturer's maximum liability shall not in any case exceed the purchase price of the Product, which shall be fixed as liquidated damages and not as a penalty, and shall be the complete and exclusive remedy against the Manufacturer.

Warning: The user should follow the installation and operation instructions and among other things test the Product and the whole system at least once a week. For various reasons, including, but not limited to, changes in environmental conditions, electric or electronic disruptions and tampering, the Product may not perform as expected. The user is advised to take all necessary precautions for his/her safety and the protection of his/her property. Specification to these sounders may change. This connection table is given in good faith. Visonic recommend consulting the documentation supplied with your sounder unit prior to connection